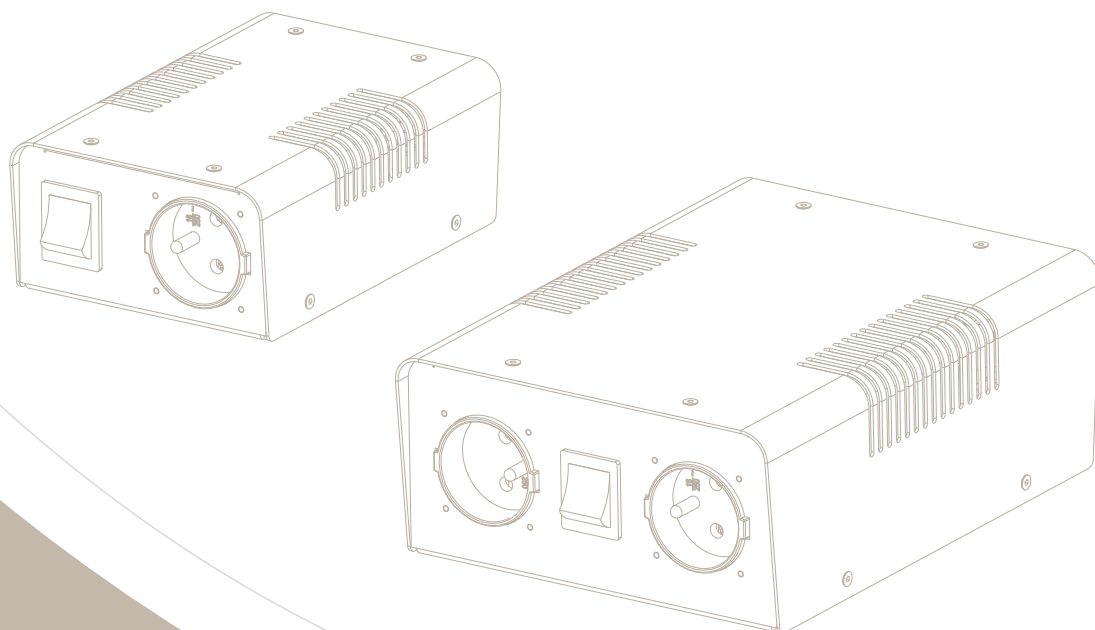


# Isolation and filtering transformer ODT 50-1500VA



**MULTICORE**  
RESEARCH & DEVELOPMENT

**Input and output safety grounds** are accessible to measure decoupling currents. Possibility to central grounding connected appliances.

**Substantial metal frame** with passive heat dissipation and compact dimensions.

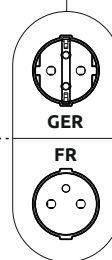
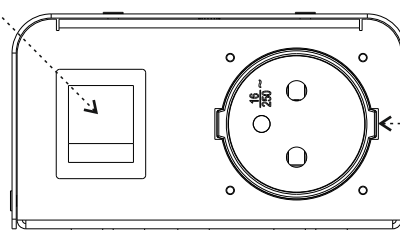
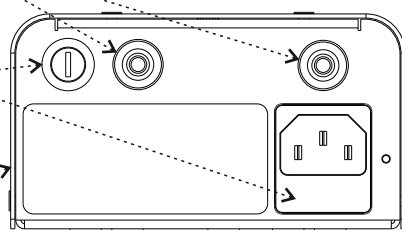
**Integrated switch** for simple turn on and off with signalization.

Customized color and **OEM design**.

**Two types of output outlets** rotated to aside for comfort manipulation and cable management

**Independent protection** for input and output by fuses. Standardized EURO connector for simple connection.

**Filtering elements** to suppress noises and distortions in both ways.



## Serve as :

- Accessories for oscilloscopes to measure different voltage potentials (partly can replace active probes).
- Accessories for laboratory power supplies and other devices.
- For production plants where it is necessary to secure and separate the final appliance from the mains.
- Safety potential isolator for laboratories.
- Soft power supply for testing and debugging electrical devices.
- Isolation and filtering transformer for HiFi audio arrangement to suppress unwanted external effects and noises.
- Overcurrent and overvoltage protection.

Type	Dimensions / Weight	Power	Input	Output	Output type	Fuse input / output	Price
ODT10050SP	13x165x65 / 1650g	50VA	~230V/50Hz	~230V/50Hz	1x socket GER	350mA / 315mA	105 EUR
ODT10050FP	113x165x65 / 1650g	50VA	~230V/50Hz	~230V/50Hz	1x socket FR	350mA / 315mA	105 EUR
ODT10120SP	113x165x65 / 2150g	120VA	~230V/50Hz	~230V/50Hz	1x socket GER	800mA / 630mA	115 EUR
ODT10120FP	113x165x65 / 2150g	120VA	~230V/50Hz	~230V/50Hz	1x socket FR	800mA / 630mA	115 EUR
ODT10250SP	168x225x84 / 3500g	250VA	~230V/50Hz	~230V/50Hz	2x socket GER	1200mA / 1000mA	165 EUR
ODT10250FP	168x225x84 / 3500g	250VA	~230V/50Hz	~230V/50Hz	2x socket FR	1200mA / 1000mA	165 EUR
ODT10500SP	168x225x84 / 5000g	500VA	~230V/50Hz	~230V/50Hz	2x socket GER	2500mA / 2000mA	229 EUR
ODT10500FP	168x225x84 / 5000g	500VA	~230V/50Hz	~230V/50Hz	2x socket FR	2500mA / 2000mA	229 EUR
ODT10750SP	168x225x84 / 7250g	750VA	~230V/50Hz	~230V/50Hz	2x socket GER	4000mA / 3500mA	265 EUR
ODT10750FP	168x225x84 / 7250g	750VA	~230V/50Hz	~230V/50Hz	2x socket FR	4000mA / 3500mA	265 EUR
ODT11500SX	435x350x120 / 18kg	1500VA	~230V/50Hz	~230V/50Hz	4x socket GER	8000mA / 7500mA	529 EUR
ODT11500FX	435x350x120 / 18kg	1500VA	~230V/50Hz	~230V/50Hz	4x socket FR	8000mA / 7500mA	529 EUR