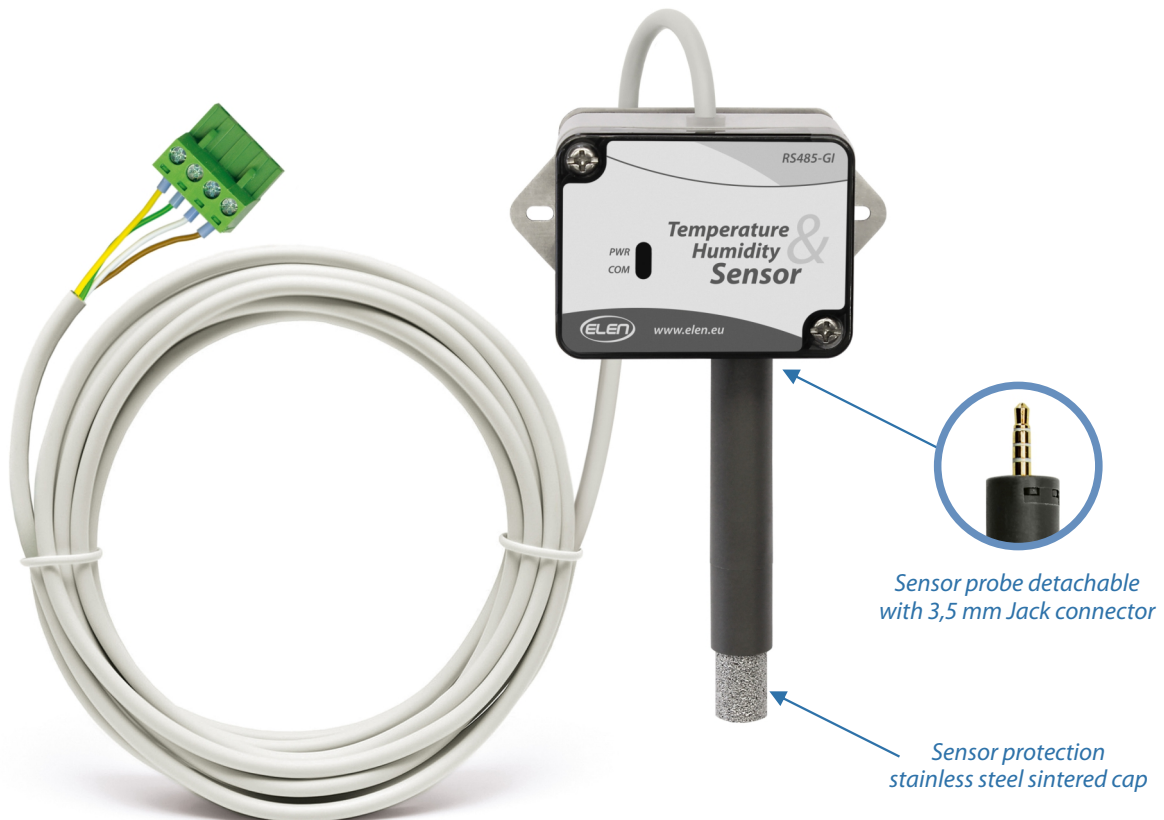


DATASHEET

Product name	Temperature and Humidity Sensor	
Type / Model	THS SENSOR 52 12DC RS485-GI	
Order Code	ZZ0911-0.10	Date of last revision: 20.05.2019

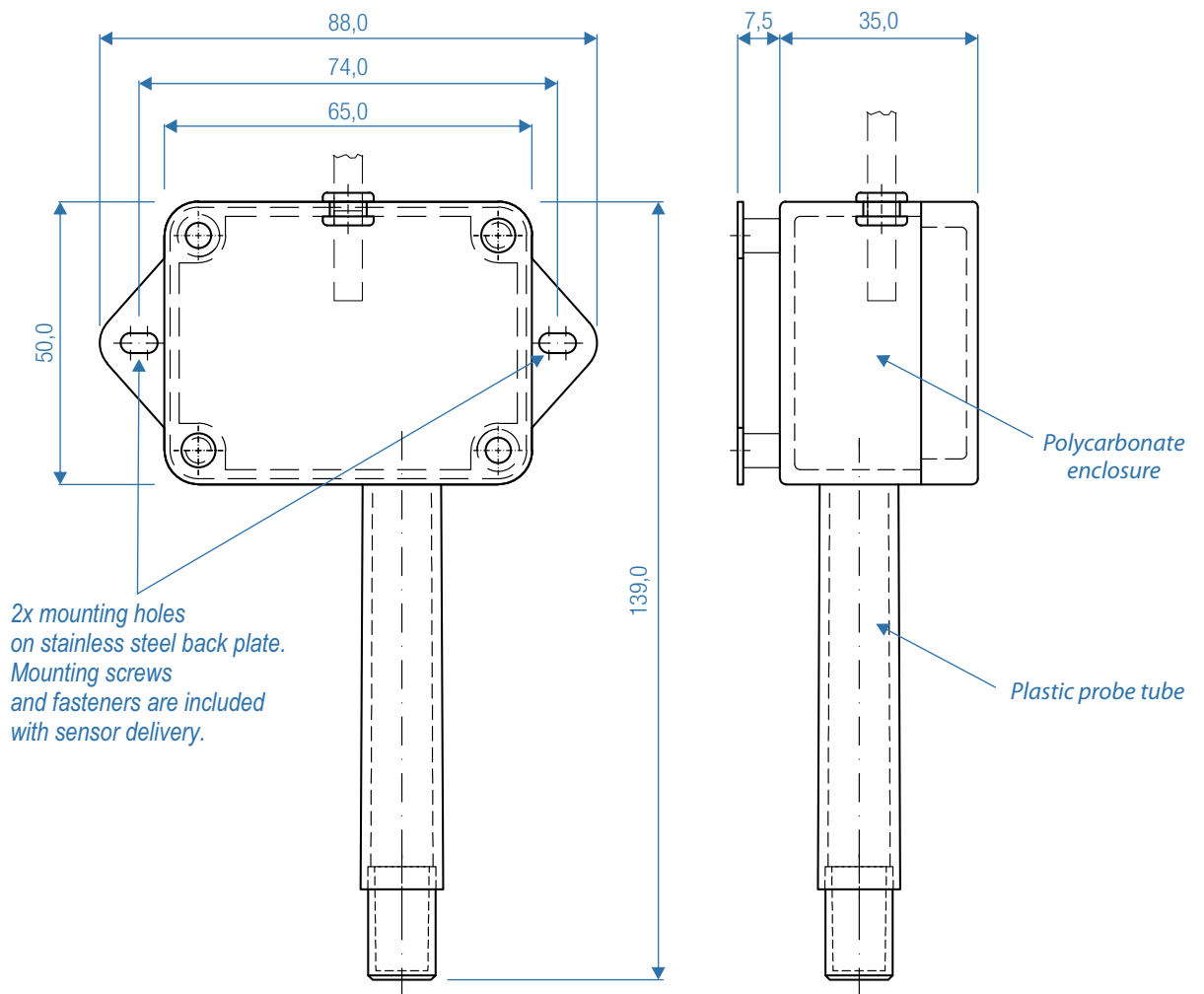
The **THS SENSOR 52 12DC RS485-GI** is an air temperature and humidity sensor with galvanically isolated serial communication interface RS485 for transmitting measured values to a master device. It can be used in computer controlled measurement systems or as a peripheral device to a large-size LED display, which displays the measured values.



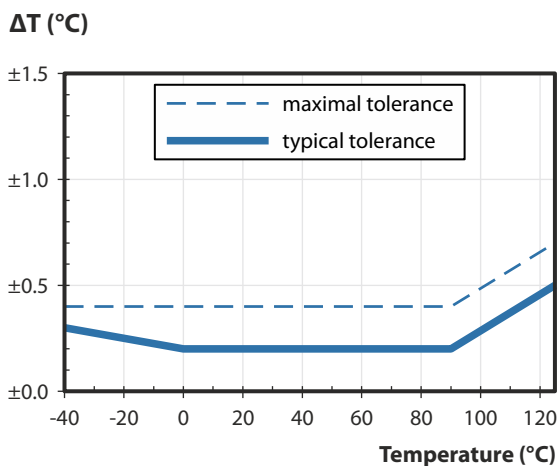
Technical Specifications

Sensor type	Sensirion SHT31-DIS
Temperature range	-40 °C to +80 °C
Typical temperature accuracy	±0,3 °C (±0,2 °C for T>0 °C)
Relative humidity range	0 to 100 % RH
Typical relative humidity accuracy	±2 % RH
Communication interface	RS485-GI (with galvanic isolation)
Communication protocol	Modbus RTU, ELEN (ASCII)
Port connector	EUROCLAMP SH05-5,08 (cable length 5 m)
Software	<i>DataLoggerTH</i> for Windows (available for download)
Environment of use	interior or exterior (IP 52)
Power supply	7 to 32 VDC (with galvanic isolation)
Compatibility	used with LED displays ELEN, NDA series, or stand-alone

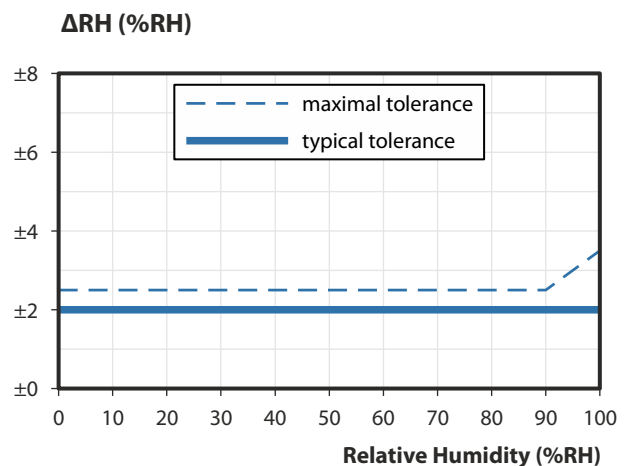
Dimensional Drawing (mm)



Graphs - Sensirion SHT31 parameters



Graph No. 1: Accuracy for temperature in °C.



Graph No. 2: Accuracy for relative humidity at 25°C.