

DATASHEET

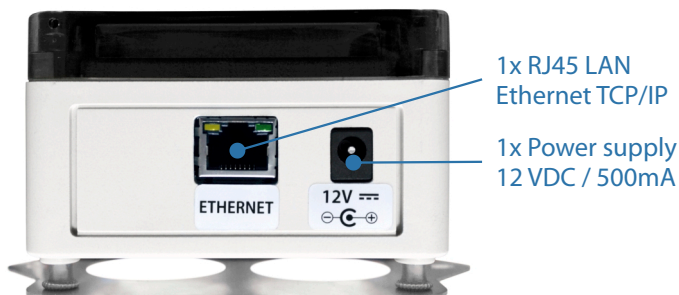
| | | |
|---------------------|--|-----------------------------------|
| Product name | Temperature and Humidity Sensor | |
| Type / Model | THS Sensor 40 12DC LAN | |
| Order Code | ZZ0809-6.10 | Date of last revision: 20.05.2019 |

The **THS SENSOR 40 12DC LAN** is an air temperature and humidity sensor with Ethernet LAN interface for transmitting measured values to a master device. It can be used in computer controlled measurement systems or as a peripheral device to a large-size LED display, which displays the measured values.

External power supply adapter 230VAC/12VDC is required to power the sensor (included).



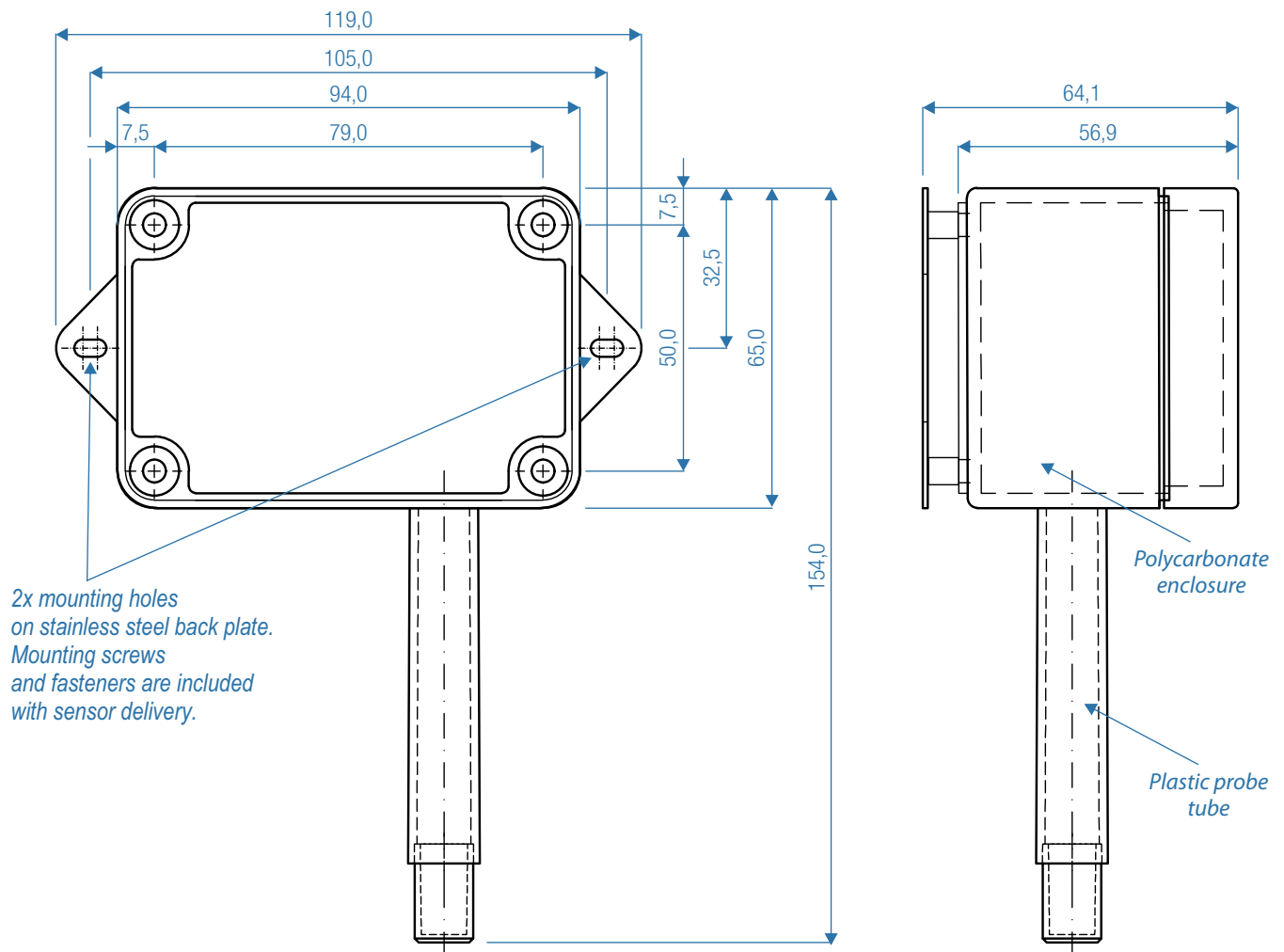
Connections



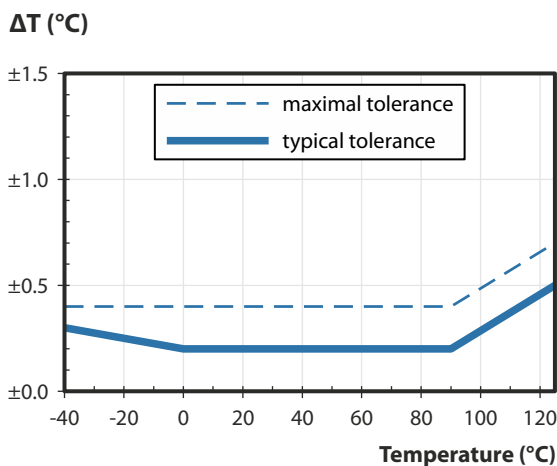
Technical Specifications

| | |
|---|--|
| Sensor type | Sensirion SHT31-DIS |
| Temperature range | -40 °C to +80 °C |
| Typical temperature accuracy | ±0,3 °C (±0,2 °C for T>0 °C) |
| Relative humidity range | 0 to 100 % RH |
| Typical relative humidity accuracy | ±2 % RH |
| Communication interface | Ethernet 10/100BASE-TX, IEEE 802.3 |
| Communication protocol | Modbus TCP, TCP/IP (ASCII) |
| Port connector | RJ45 (LAN cable included, 2 m) |
| Software | <i>DataLoggerTH</i> for Windows (available for download) |
| Environment of use | interior (IP 40) |
| Power supply | adapter 12 VDC/500 mA (included) |
| Compatibility | used with LED displays ELEN, NDA series, or stand-alone |

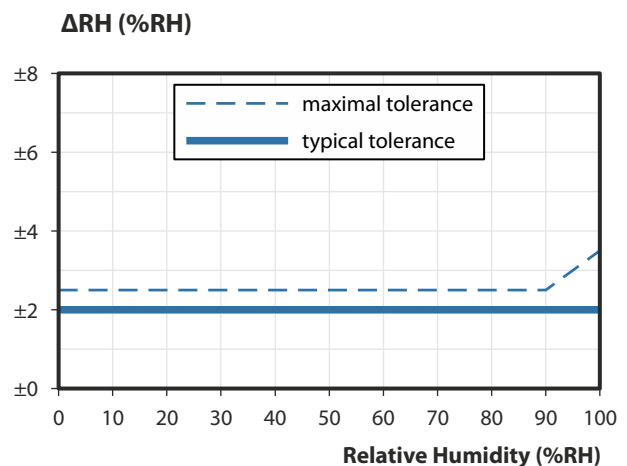
Dimensional Drawing (mm)



Graphs - Sensirion SHT31 parameters



Graph No. 1: Accuracy for temperature in °C.



Graph No. 2: Accuracy for relative humidity at 25°C.