

Galvanic 0-10V isolator

LSP-IV1



Brief description

The LSP-IV1 isolator is designed to make galvanic isolation between the transmitter and the processing unit (PLC). This isolator is a 2 point galvanic isolator, which means that the input and the output is separated from each other. This instrument is suitable for any industrial application where 0-10V analog signal is used. It reduces the impact of interference and ground potential differences.

The module ensures 3500VDC isolation.

Features

- Two way isolated
- 3500kV isolation
- TS-35 DIN rail mounting
- +/-0.1% accuracy
- Ip40 case
- Screw terminals
- Power LED
- 0-10V analog output
- Cost effective

Lueta Nr. 319, Romania

+40758576007

office@levtech.ro

www.levtech.ro

Specification

Inputs

Input signal : Direct voltage
Input range: 0-10V
Input resistance: 500 Ohm

Environment

Ambient temperature: -10 to +60 °C
Storage temperature: -30 to 80 °C
Humidity : 0 to 95% RH at 40 °C, no condensation

Outputs

Output signal : Direct voltage
Output range: 0-10V
Output resistance: >75 Ohm
Nonlinearity : 0.01% (max.)
Output accuracy: 0.1%

Power supply

Supply voltage 16 to 30 VDC
Power consumption < 100mW
Reverse-polarity protection

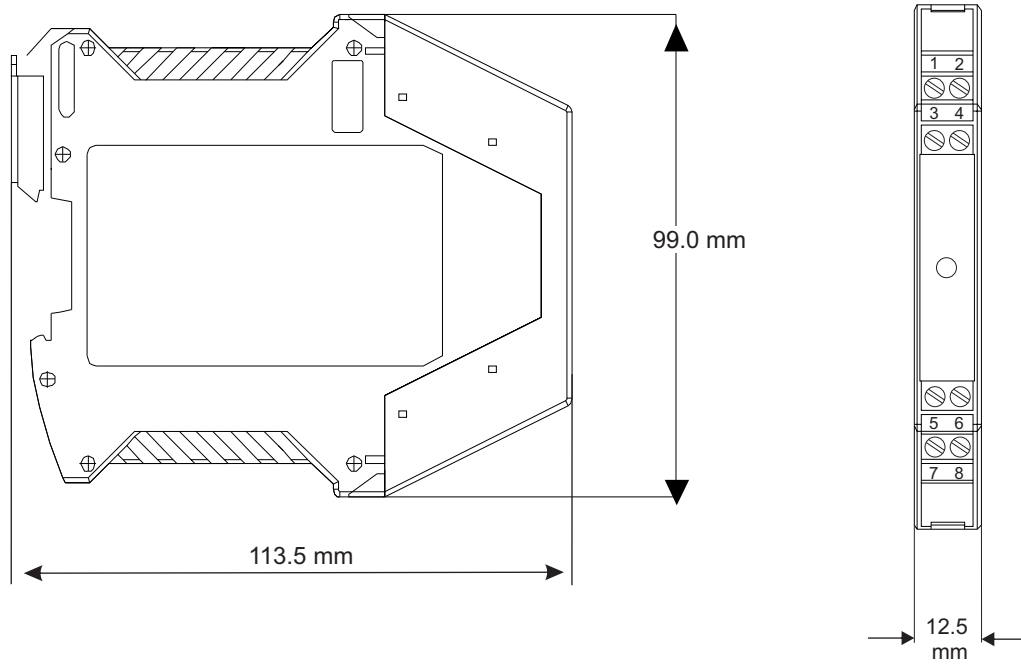
Galvanic isolation

3500 VDC isolation between input and output

Enclosure

Rating: IP40
Dimension: 165 (L) x 190 (D) x 12.5 (H)
Weight: approx. 50g
DIN rail mountable housing to TS-35 DIN
Screw terminals with maximum 2.5 mm² cable cross-section

Dimensions



Connections

