

Conductivity 4-20mA transmitter

LSP-TSC



Brief description

The LSP-TSC conductivity transmitter is a simple and cost effective instrument for liquid conductivity measurement, it measures the conductivity of liquids with the corresponding sensor and transmit a 4-20mA analog signal without temperature compensation. The device is pre-configured for 2 wire sensor with 0.1 k factor and measures between 0 to 200 mS/cm.

Features

- Cable capacity compensation
- 4 to 20 mA analog signal output
- TS-35 DIN rail mounting
- +/-0.1% accuracy
- Ip20 case
- Screw terminals
- Easy to install
- Cyclical self-calibration
- Power LED

Lueta Nr. 319, Romania

+40758576007

office@levtech.ro

www.levtech.ro



Specification

Input

Conductivity sensor input (Analog)

Compatible: any 2-wire electrolytic conductivity cells with the cell constants 0.1. The recommended conductivity sensor is the offered one with the transmitter.

Cable capacity compensation

Capacity of the cable can affect the measuring, this error can be adjusted with the cable compensation function of the transmitter.

A/D converter

Resolution 16 bit

Input ranges

Conductivity: 0 to 200 mS/cm

Accuracy

0 to 200 μ S/cm \pm 0.02 μ S/cm

Enclosure

Rating: IP20

Dimension: 85 (L) x 25 (D) x 80 (H)

Weight: approx. 50g

DIN rail mountable housing to TS-35 DIN

Screw terminals with maximum 2.5 mm² cable cross-section

Outputs

| | |
|------------------------|----------------|
| Output signal type | 4-20 mA active |
| Output range: | 4-20mA |
| Over-Scale Limit | 27mA |
| Under-Scale Limit | 2.2mA |
| Output resistance | >75 Ohm |
| Output/Input isolation | 2800V |
| Output accuracy | 0.1% |

Environment

Ambient temperature: -10 to +60 °C

Storage temperature: -30 to 80 °C

Humidity : 0 to 95% RH at 40 °C, no condensation

Power supply

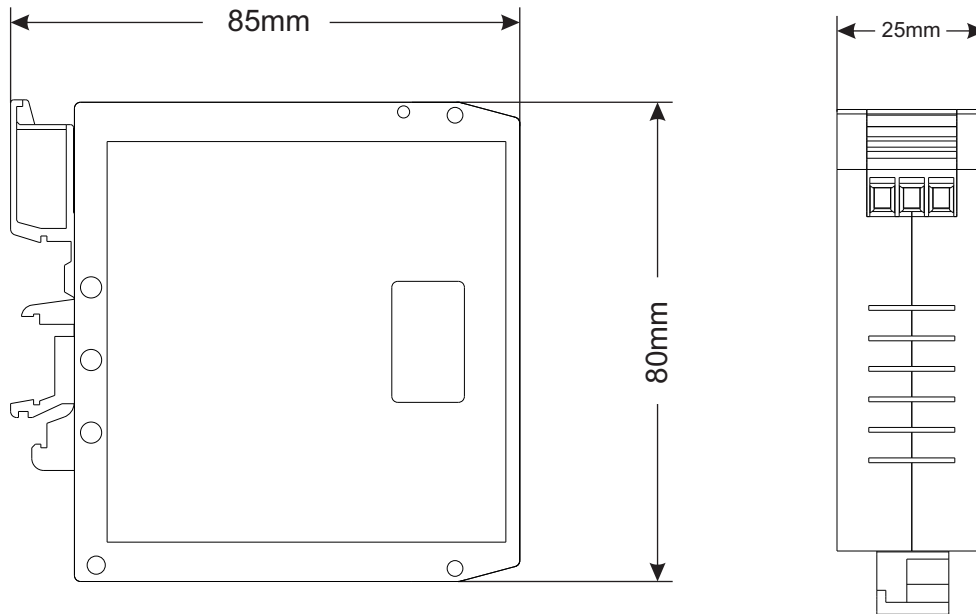
Supply voltage 16 to 30 VDC

Power consumption < 100mW

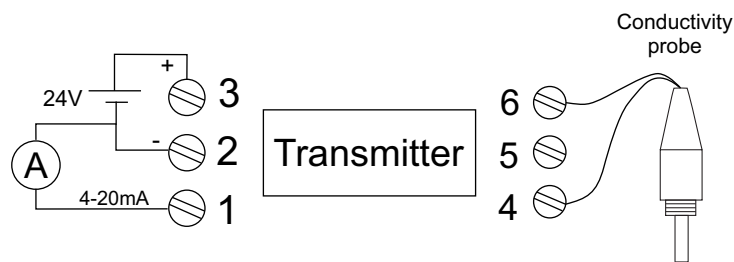
Over Voltage surge protection 36V

Reverse-polarity protection

Dimensions



Connections



- 3 +16-30V In
- 2 0V In
- 1 +4-20mA Loop

- Probe wire 1 6
- 5
- Probe wire 2 4